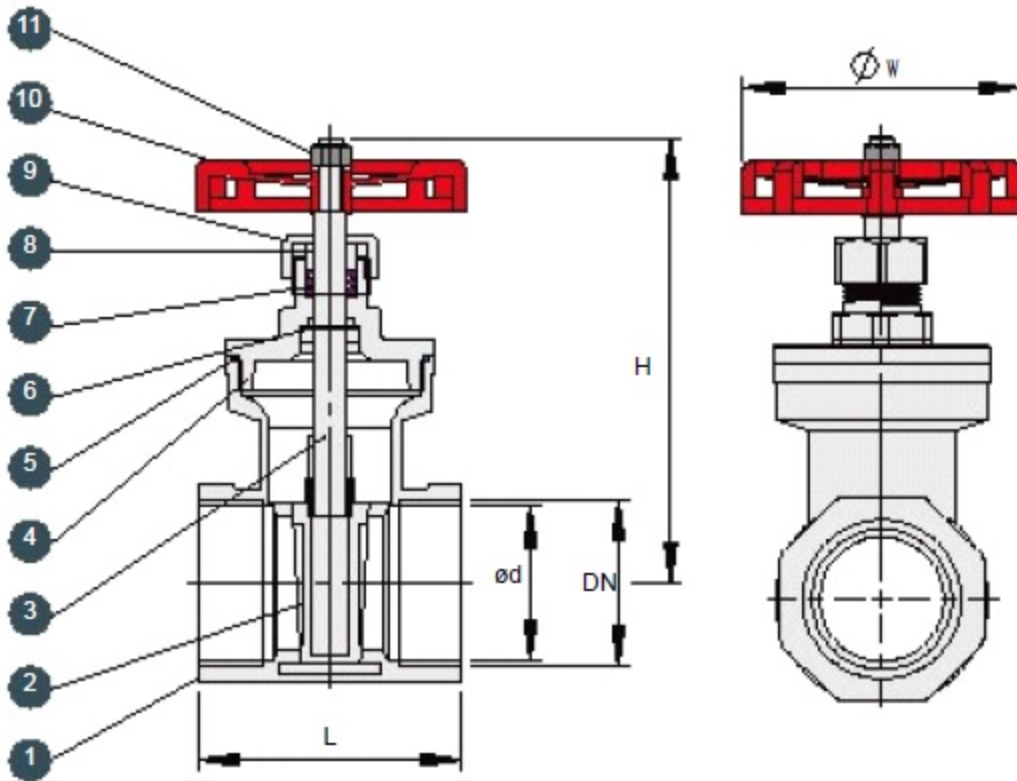


Gate Valve Screw End 200PSI

STANDARD:

- Investment Casting Body & Cap
- 200PSI
- Wheel Handle Operation

- Design Standard: ASME B16.34
- Wall Thickness: ASME B16.34, GB 12224
- Inspection Standard: API598



No.	PARTS	MATERIAL		
1	Body	CF8M	CF8	SS201
2	Disc	CF8M	CF8	SS201
3	Stem	SS316	SS304	SS201
4	Bonnet	CF8M	CF8	SS201
5	Gasket Packing	PTFE		
6	Gland	SS316	SS304	SS201
7	Stem Packing	PTFE		
8	Gland	SS316	SS304	SS201
9	Stop Cap	CF8M	CF8	SS201
10	Wheel Handle	Aluminum		
11	Nut	SS04	SS201	

Unit:mm

SIZE	DN	d	L	H	W
1/2"	15	15	52	98	70
3/4"	20	20	58	106	70
1"	25	25	63	118	80
1 1/4"	32	32	68	125	90
1 1/2"	40	38	71	150	90
2"	50	48	84	169	100
2-1/2"	65	65	108	180	100
3"	80	78	117	205	120
4"	100	98	130	215	130